



# LIL' KICK SCOOTER



## OWNER'S MANUAL

**Read and understand this entire manual BEFORE allowing children to use this product!**

**NOTE: Manual illustrations are for demonstration purposes only. Illustrations may not reflect exact appearance of actual product. Specifications subject to change without notice.**

# CONTENTS

Safety Warnings .....	1	Lil' Kick Parts .....	4
Before You Begin.....	2	Warranty.....	5
Set-Up and Usage.....	3		

## SAFETY WARNINGS

**! AN IMPORTANT MESSAGE TO PARENTS:** This manual contains important information. For your child's safety, it is your responsibility to review this information with your child and make sure that your child understands all warnings, cautions, instructions and safety topics. Razor USA recommends that you periodically review and reinforce the information in this manual with younger riders and that you are required to inspect and maintain your child's scooter to insure their safety.

**! GENERAL WARNING:** Scooter riding can be a hazardous activity. Certain conditions may cause the equipment to fail without fault of the manufacturer. Scooters can and are intended to move and it is therefore possible to get into dangerous situations and/or lose control and/or fall. If such things occur you can be seriously injured or die. **LIKE ANY OTHER MOVING PRODUCT, USING A SCOOTER CAN BE A DANGEROUS ACTIVITY AND MAY RESULT IN INJURY OR DEATH EVEN WHEN USED WITH PROPER SAFETY PRECAUTIONS. USE AT YOUR OWN RISK AND USE COMMON SENSE.**

This manual contains many warnings and cautions concerning the consequences of failing to maintain, inspect or properly use your Lil' Kick scooter. Because any incident can result in serious injury or even death, we do not repeat the warning of potential serious injury or death each time such a possibility is mentioned.

- Always wear safety equipment such as helmet, knee pads and elbow pads. Always wear a helmet when riding your scooter and keep the chinstrap securely buckled.
- Always wear closed toe shoes.
- Ride on smooth, paved surfaces away from motor vehicles.
- Avoid sharp bumps, drainage grates, and sudden surface changes. Scooter may suddenly stop.
- Avoid streets and surfaces with water, sand, gravel, dirt, leaves and other debris. Wet weather impairs traction, stopping, and visibility.
- Do not ride at night.
- Avoid excessive speed associated with downhill rides.
- Obey all local traffic and scooting laws and regulations.
- Watch out for pedestrians.
- Do not exceed 45 pounds (20 kilograms) total weight on the Lil' Kick scooter.
- Do not allow children under age three (3) to use the scooter. Close adult supervision recommended.
- Rider weight does not necessarily mean a child's size is appropriate to fit or maintain control of the scooter.
- A parent's decision to allow his or her child to ride this product should be based on the child's maturity, skill and ability.

### ACCEPTABLE RIDING PRACTICES AND CONDITIONS

Direct parental supervision is required at all times. Scooters are meant to be used only in controlled environments free of potential traffic hazards and not on public streets. Do not allow your child to ride a scooter in any areas where vehicle traffic is present. Child must maintain a hold on the handlebars at all times. Never allow more than one child at a time to ride a scooter. Never use near steps, sloped driveways, hills, roadways, alleys or swimming pool areas.

Do not ride a scooter in wet weather. Scooters are intended for use on solid, flat, clean and dry surfaces such as pavement or level ground without loose debris such as rocks or gravel. Wet, slick or uneven and rough surfaces may impair traction and contribute to possible accidents. Do not ride scooter in mud, ice, puddles or water. Avoid excessive speeds that can be associated with downhill rides. Never risk damaging surfaces such as carpet or flooring by use of a scooter indoors. Do not ride at night or when visibility is impaired.

### PROPER RIDING ATTIRE

Always ensure child is wearing proper protective equipment such as an approved safety helmet. A helmet may be legally required by local law or regulation in your area. A child should always wear shoes, never ride barefooted or in sandals and keep shoelaces tied and out of the way of the wheels.

**FAILURE TO USE COMMON SENSE AND HEED THE ABOVE WARNINGS FURTHER INCREASES RISK OF SERIOUS INJURY. USE AT YOUR OWN RISK AND WITH APPROPRIATE AND SERIOUS ATTENTION TO SAFE OPERATION. USE CAUTION.**

**! WARNING:** ALWAYS INSPECT SCOOTER PRIOR TO RIDING. Properly inspecting and maintaining your scooter can reduce the risk of injury. Always inspect your scooter before riding and regularly maintain it.

**! WARNING:** CHECK LOCAL LAWS REGARDING SCOOTER USE. Check local laws and regulations to see where and how you may use your Razor scooter legally. In many states and local areas scooter riders are required **BY LAW** to wear a helmet. Check local laws and regulations regarding laws governing helmet use and scooter operation in your area.

[Click For Product Reviews](#)

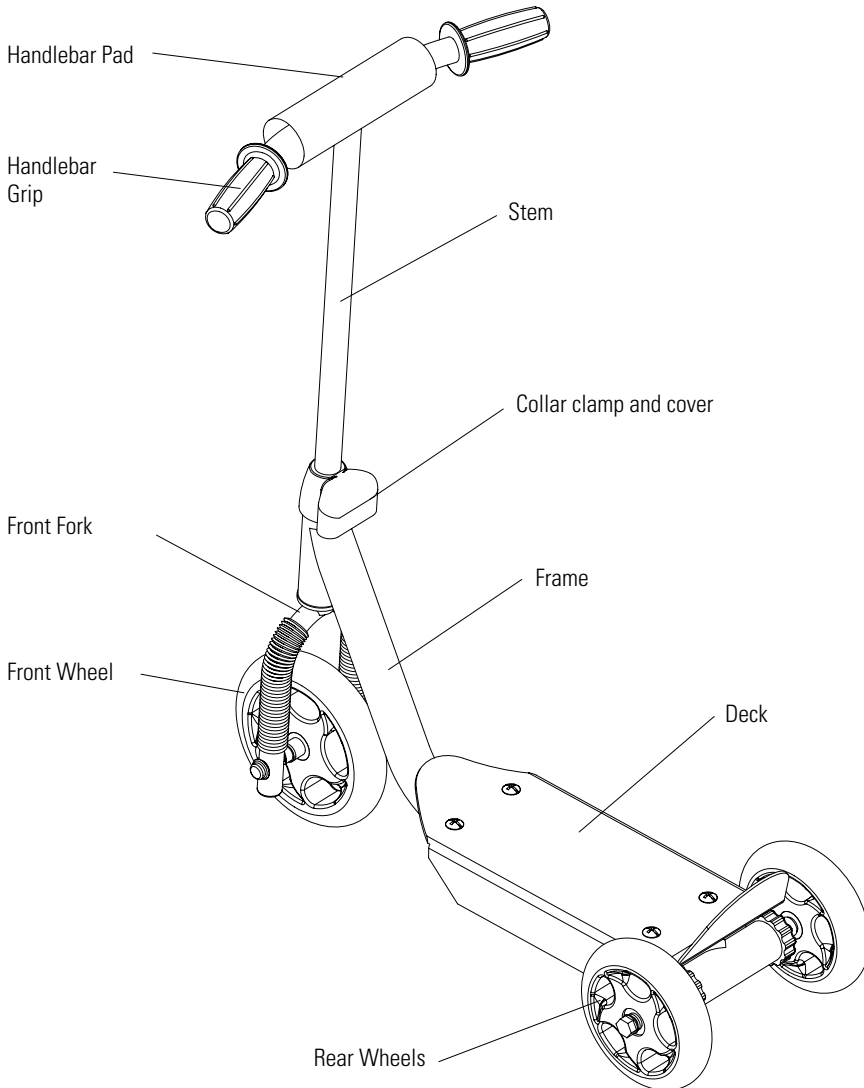
## BEFORE YOU BEGIN

Remove contents from box. Inspect the contents of the box for scratches in the paint and/or dents that may have occurred during shipping. Because your scooter was assembled and packed at the factory, there should not be any problems, even if the box has a few scars or dents.

### Estimated Assembly and Set-Up Time

Adult assembly required.

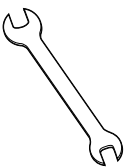
Allow up to 10–15 minutes for assembly.



**WARNING:** DO NOT USE NON-RAZOR PARTS WITH YOUR SCOOTER.

Razor scooters have been built to certain Razor design specifications. The original equipment supplied at the time of sale was selected on the basis of its compatibility with the frame, fork and all other parts. Certain aftermarket products may not be compatible. Use of any non-Razor product parts will void your warranty.

### Required Tools



10mm and 13mm wrench  
(Included)

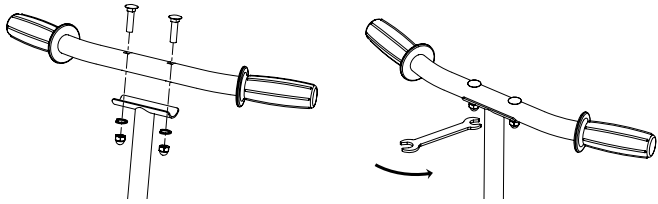
[Click For Product Reviews](#)

**Need Help?** Visit our web site for replacement parts, product support and a list of authorized service centers at [www.razor.com](http://www.razor.com) or call toll-free at 866-467-2967 Monday - Friday 8:00 AM - 5:00 PM Pacific Time.

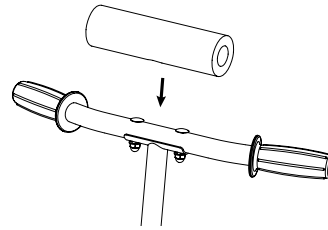
# SET-UP AND USAGE

## □ Assembling the Lil' Kick Scooter

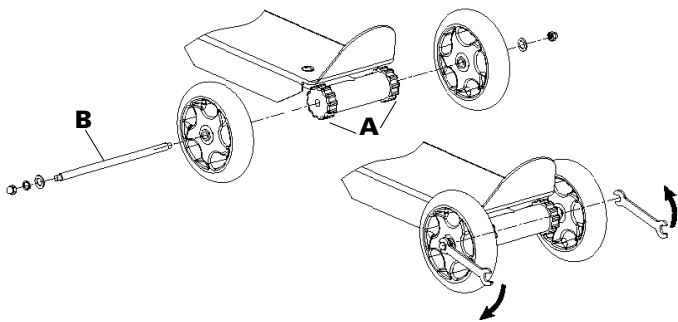
Tools Needed: 10mm wrench and 13mm wrench



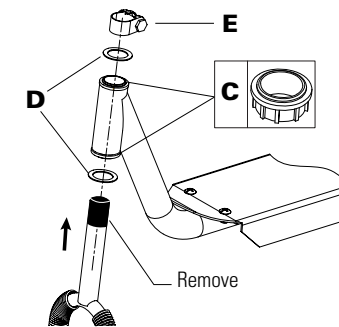
**1** Align the holes on the handlebars and the stem. Insert handlebar bolts into the top of the handlebar and through the stem. Install the washers and nuts onto the bottom of the handlebar bolts. Tighten securely into place using a 10mm wrench.



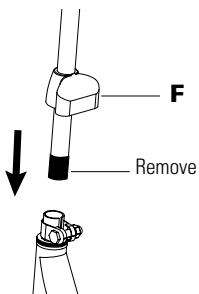
**2** Place the handlebar pad over the handlebars and secure tightly with the velcro cover.



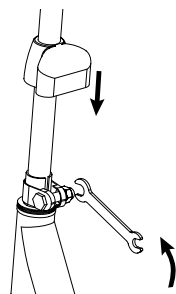
**3** Insert the rear tube covers ((A) - See 13-1, page 4). Slide rear axle bolt (B) through the frame and attach wheels to the end of the axle bolt. Insert washer and lock nut and tighten securely using a 13mm wrench.



**4** Insert plastic headset ((C) - See 8, page 4) into the neck of the frame. Remove the protective black plastic cap from the top of the fork and slide one plastic washer (D) onto the fork before inserting the fork through the frame. Insert second plastic washer (D) onto the top of the fork and slide the collar clamp (E) on top of washer.



**5** Remove the protective black plastic cap from bottom of stem and slide collar clamp cover (F) up to the middle of the stem. Insert the stem into the fork.



**6** Using a 13 mm wrench, tighten the bolt on the collar clamp until the handlebars are locked securely into place. Slide the collar clamp cover down over the collar clamp.

**Note:** For further assistance, please refer to page 4 for parts breakdown.

<b>A</b>	
<b>B</b>	
<b>C</b>	
<b>D</b>	
<b>E</b>	
<b>F</b>	

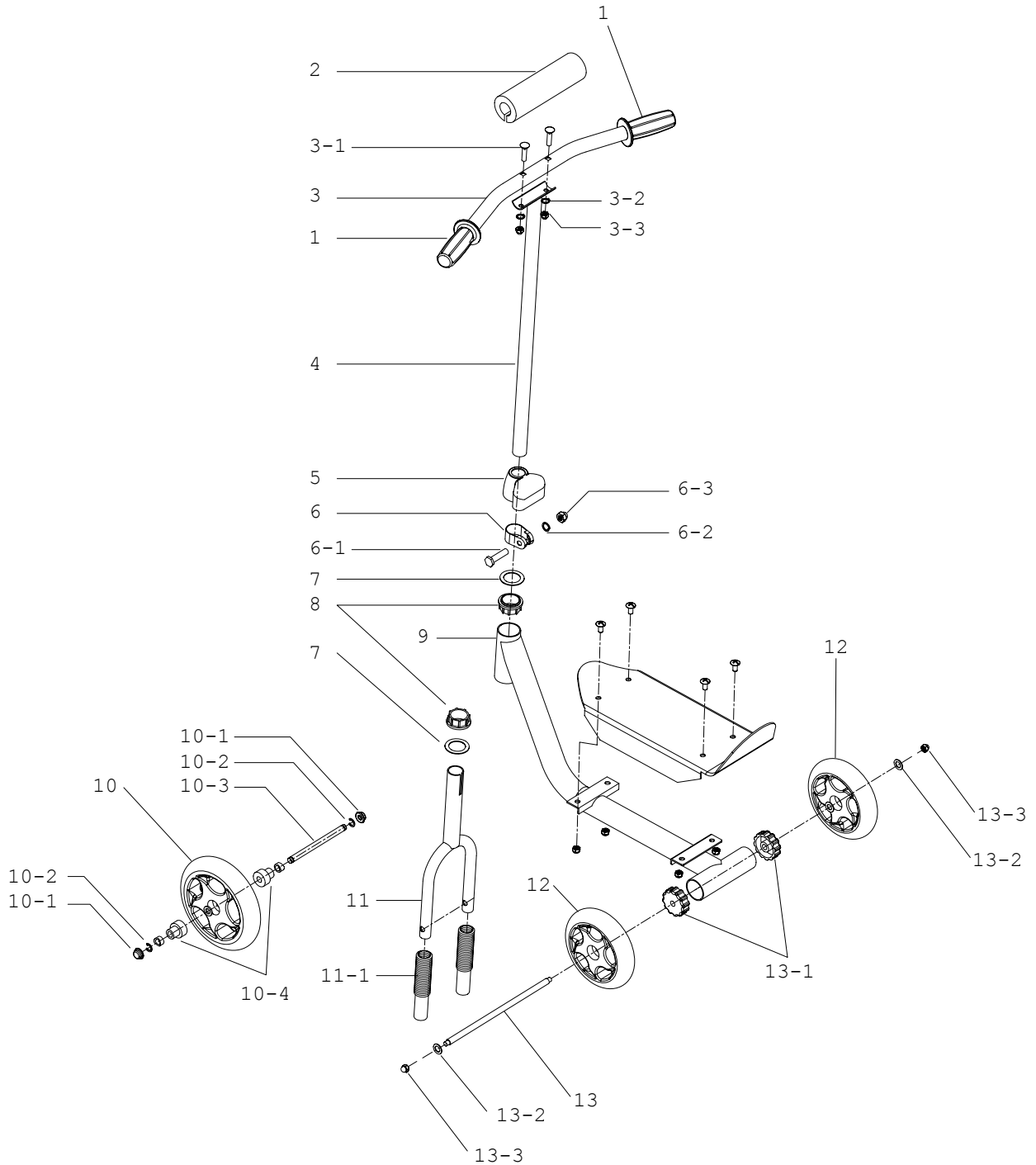
[Click For Product Reviews](#)

**Need Help?** Visit our web site for replacement parts, product support and a list of authorized service centers at [www.razor.com](http://www.razor.com) or call toll-free at 866-467-2967 Monday - Friday 8:00 AM - 5:00 PM Pacific Time.

# LIL' KICK PARTS

Keep your Lil' Kick scooter running for years with genuine Razor parts. Visit our web site to purchase replacement parts.  
(Specifications subject to change without notice.)

- |     |                 |     |                     |      |                                      |      |                      |
|-----|-----------------|-----|---------------------|------|--------------------------------------|------|----------------------|
| 1   | Handlebar Grips | 5   | Collar Clamp Cover  | 9    | Frame                                | 11   | Front Fork           |
| 2   | Handlebar Pad   | 6   | Collar Clamp        | 10   | Front Wheel                          | 11-1 | Fork Cover (x2)      |
| 3   | Handlebar       | 6-1 | Bolt                | 10-1 | Fixed Cap (x2)                       | 12   | Rear Wheel (x2)      |
| 3-1 | Bolt (x2)       | 6-2 | Washer              | 10-2 | C Clip (x2)                          | 13   | Rear Axle Bolt       |
| 3-2 | Washer (x4)     | 6-3 | Lock Nut            | 10-3 | Front Axle                           | 13-1 | Rear Tube Cover (x2) |
| 3-3 | Nut (x2)        | 7   | Plastic Washer (x2) | 10-4 | Front Wheel Bushing /<br>Spacer (x4) | 13-2 | Washer (x2)          |
| 4   | Stem            | 8   | Plastic Headset     |      |                                      | 13-3 | Nut (x2)             |



## SAFETY REMINDERS

### PRE-RIDE CHECKLIST

**Loose Parts**  
Check and secure all fasteners before every ride. Make sure the stem and wheels are tight. There should not be any unusual rattles or sounds from loose parts or broken components.

**Frame, Fork and Handlebars**  
Check for cracks or broken connections. Although broken frames are rare, it is possible for an aggressive rider to run into a curb or wall and wreck, bend or break a frame. Get in the habit of inspecting yours regularly.

**Safety Gear**  
Always wear proper protective equipment such as an approved safety helmet, elbow pads and kneepads. Always wear shoes (lace-up shoes with rubber soles), never ride barefooted or in sandals and keep shoelaces tied and out of the way of the wheels.

[Click For Product Reviews](#)

## WARRANTY

### Razor Limited Warranty

The manufacturer warrants this product to be free of manufacturing defects for a period of 6 months from date of purchase. This Limited Warranty does not cover normal wear and tear or any damage, failure or loss caused by improper assembly, maintenance, or storage or use of the Lil' Kick scooter.

This Limited Warranty will be void if the product is ever

- used in a manner other than for recreation;
- modified in any way;
- rented.

The manufacturer is not liable for incidental or consequential loss or damage due directly or indirectly to the use of this product.

Razor does not offer an extended warranty. If you have purchased an extended warranty, it must be honored by the store at which it was purchased.

For your records, save your original sales receipt with this manual and write the barcode number below.

---

Item Number:  
**Blue 13014940**  
**Pink 13014961**

**Need Help?** Visit our web site for replacement parts, product support and a list of authorized service centers at [www.razor.com](http://www.razor.com) or call toll-free at 866-467-2967 Monday - Friday 8:00 AM - 5:00 PM Pacific Time.

Patent Pending

Printed in China for:  
Razor USA LLC  
PO Box 3610  
Cerritos, CA 90703

Copyright © 2003 - 2010 Razor USA, LLC. All rights reserved. RAZOR and the Razor Logo Design are among the registered trademarks of Razor USA LLC in the United States and/or select foreign countries.